



Through Hole Shielded Inductors - RDS1010D SERIES



FEATURES

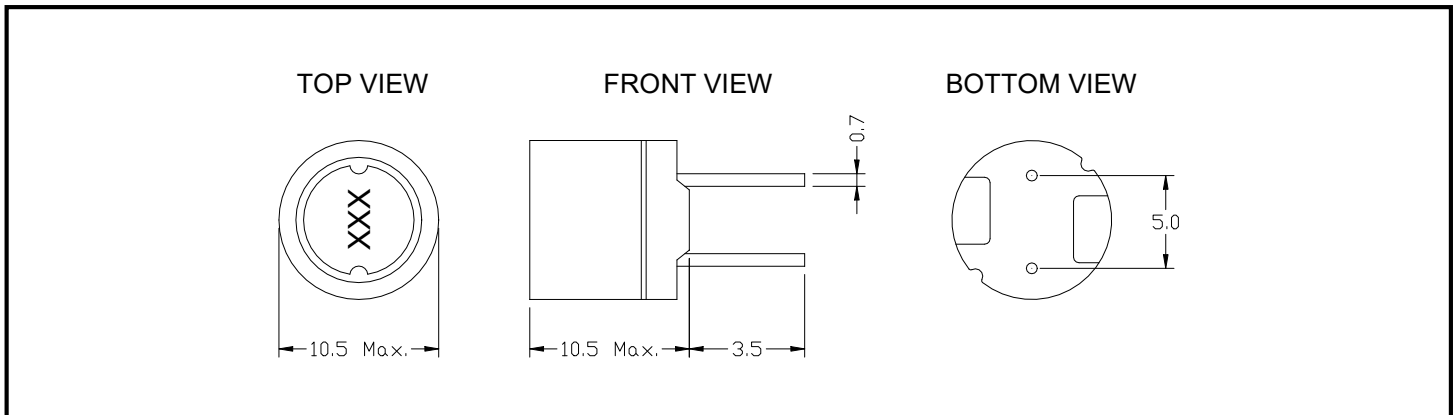
- Magnetically shielded construction and low leakage flux type .
- Lead free and RoHS compliant
- Ideal for use as an inductor for high current power supplies in all types of electronic instruments .

PART NUMBERING SYSTEM

RDS	1010D	—	101L	—	LF
TYPE	DIMENSIONS		INDUCTANCE		LEAD FREE

SHAPES AND DIMENSIONS

UNIT : mm





Through Hole Shielded Inductors - RDS1010D SERIES



SPECIFICATION TABLE

PART NUMBER	INDUCTANCE (μH)	DCR (Ω) (Max.)	IDC (A) (Max.)	TEST FREQ. (Freq.)
RDS1010D-100M-LF	10±20%	0.023	3.51	1KHz
RDS1010D-120M-LF	12±20%	0.024	3.24	1KHz
RDS1010D-150M-LF	15±20%	0.036	2.88	1KHz
RDS1010D-180M-LF	18±20%	0.039	2.61	1KHz
RDS1010D-220M-LF	22±20%	0.042	2.34	1KHz
RDS1010D-270M-LF	27±20%	0.045	2.16	1KHz
RDS1010D-330L-LF	33±15%	0.057	1.89	1KHz
RDS1010D-390L-LF	39±15%	0.076	1.80	1KHz
RDS1010D-470L-LF	47±15%	0.10	1.62	1KHz
RDS1010D-560L-LF	56±15%	0.11	1.44	1KHz
RDS1010D-680L-LF	68±15%	0.15	1.35	1KHz
RDS1010D-820L-LF	82±15%	0.16	1.26	1KHz
RDS1010D-101L-LF	100±15%	0.19	1.08	1KHz
RDS1010D-121L-LF	120±15%	0.21	0.99	1KHz
RDS1010D-151L-LF	150±15%	0.23	0.90	1KHz
RDS1010D-181L-LF	180±15%	0.26	0.82	1KHz
RDS1010D-221L-LF	220±15%	0.29	0.74	1KHz
RDS1010D-271L-LF	270±15%	0.36	0.67	1KHz
RDS1010D-331L-LF	330±15%	0.51	0.61	1KHz
RDS1010D-391L-LF	390±15%	0.69	0.55	1KHz
RDS1010D-471L-LF	470±15%	0.98	0.51	1KHz
RDS1010D-561L-LF	560±15%	1.10	0.46	1KHz
RDS1010D-681L-LF	680±15%	1.20	0.42	1KHz
RDS1010D-821L-LF	820±15%	1.30	0.38	1KHz
RDS1010D-102L-LF	1000±15%	1.50	0.35	1KHz

- Inductors tolerance L=±15% ; M=±20% ;N=±30%.
- DC current at which the inductance drops 10% (typ) from its value without current.

- Operating temperature range -25°C to $+105^{\circ}\text{C}$, Electrical specifications at 20°C .